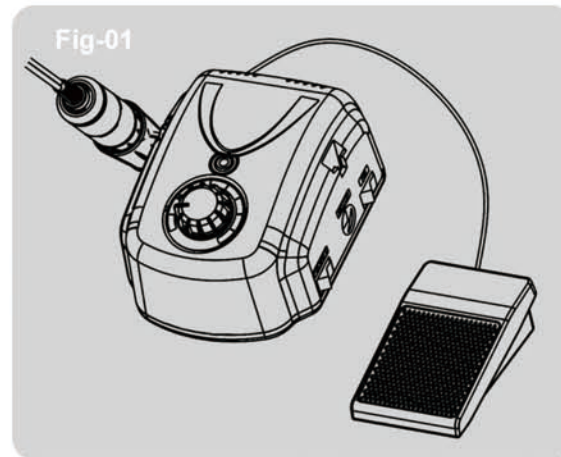


Operation Manual

Catalog

- 1.Complete set
- 2.Electric power
- 3.Components
- 4.How to operate
- 5.Technical data



1.Complete set

Make sure that the following items are included in your unit package: Type: Eb5000, like Fig-01

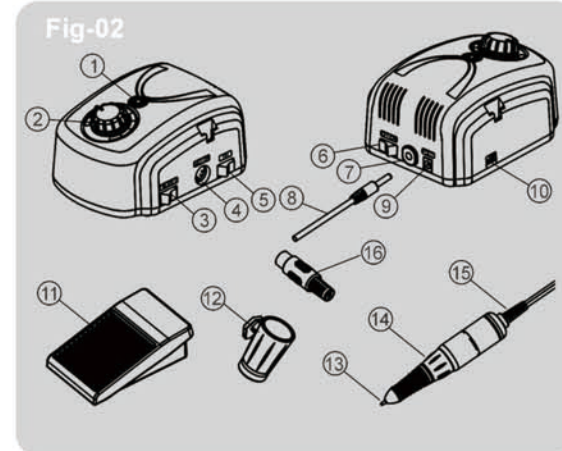
- Control unit.
- Motor handpiece
- Motor handpiece stand
- Foot pedal
- Test bur

2. Electrical power

Check the electric rating label (AC110/200V, 50/60Hz) affixed to the rear of the unit. Use only the fuse with allowable electric voltage (2.0A 250V) for fuse holder. Adjustment switch(9) to the voltage position which you need.

Caution:

- ▶Never plug or unplug the power cord with wet hands to avoid electric shock.



3. Components:

- | | |
|-------------------------------|--------------------------|
| 1.Power LED | 11.Foot pedal switch |
| 2.Speed control knob | 12.Handpiece stand |
| 3.For/Rev selector switch | 13.Test bur |
| 4.Handpiece output interface | 14.Chuck handle |
| 5.Hand/foot selector switch | 15.Handpiece output cord |
| 6.Power switch | 16.Handpiece input plug |
| 7.Power cord | |
| 8.Foot pedal input plug | |
| 9.Foot pedal output interface | |
| 10.Voltage switch | |

4. How to operate

4.1 What to do before operation

- 4.1.1 Set power switch (6) to OFF position, whenever connecting handpiece and foot pedal
- 4.1.2 Test bur can be replaced by turning chuck handle(14) clockwise [Fig-03]. After replacing the test bur or a polishing point, the chuck handle(14) must be turned counterclockwise to be securely held [Fig-04].
- 4.1.3 Always remove dirt before replacing a test bur/polishing point.
- 4.1.4 After replacing a test bur/polishing point, it is necessary to make sure that the chuck is securely held before running the motor.
- 4.1.5 While the motor is running, DO NOT try to adjust the chuck handle to prevent the unit from being damaged.
- 4.1.6 When the motor handpiece is not in use, it is recommended for a test bur or polishing point to be kept inserted into the motor handpiece.

Fig-03

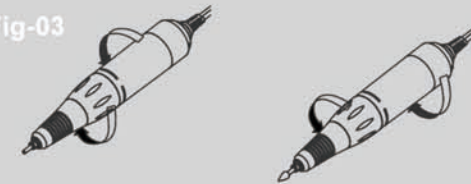
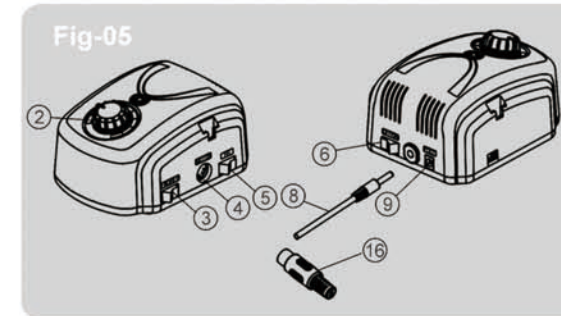


Fig-04



4.2 procedures

- 4.2.1 Plug the power cord into power interface.
- 4.2.2 Plug the handpiece output plug (16) into handpiece output interface (4).
- 4.2.3 Plug the foot pedal input plug(8) into the foot pedal output interface (9).
- 4.2.4 turn speed control knob(2) in the end Counterclockwise.
- 4.2.5 Open the power switch.
- 4.2.6 Set speed control knob(2) to the desired speed.
- 4.2.7 Switch hand/pedal selector switch (5) to change the switch between hand/foot pedal.
- 4.2.8 Switch forward/reverse selector switch(3) to change switch between forward/reverse.
- 4.2.9 Before turning off the power switch, it is surely required to set the speed control knob to the leftmost.

Caution

- ▶Wear safety glasses and mask whenever doing cutting or grinding works.
- ▶Do not exceed the maximum operating Speed of the unit because its operation at too high speed may result in damage to the unit, as well as personal injury.
- ▶ Never try to touch the chuck handle while the motor is in operation.
- ▶ Special care must be taken not to drop the motor handpiece or control unit on the floor.
- ▶Before turning off the power switch, it is surely required to set the speed control knob to the leftmost.
- ▶Unplug the power cord when the unit is not in use.

5. Technical data:

- Voltage : 110/220V
- Cycle: 50/60Hz
- Power : 45W
- Collect : 2.35mm(3/32')
- Rated Speed : 0 rpm min.
35000 rpm max.
- Weight:2KG