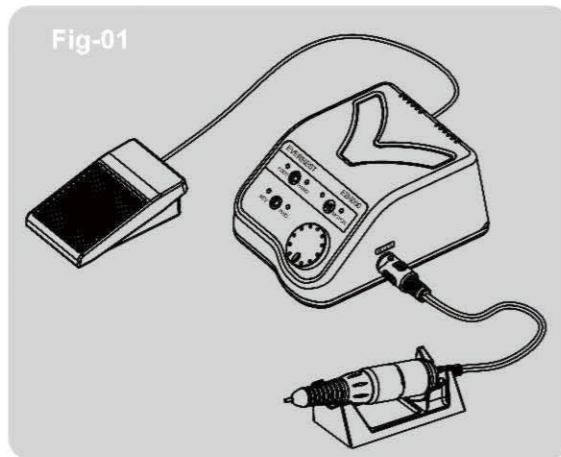


# Operation Manual

## Catalog

- 1.Complete set
- 2.Electric power
- 3.Components
- 4.How to operate
- 5.Technical data



### 1.Complete set

Make sure that the following items are included in your unit package:Type: EB4000, like<Fig-01>

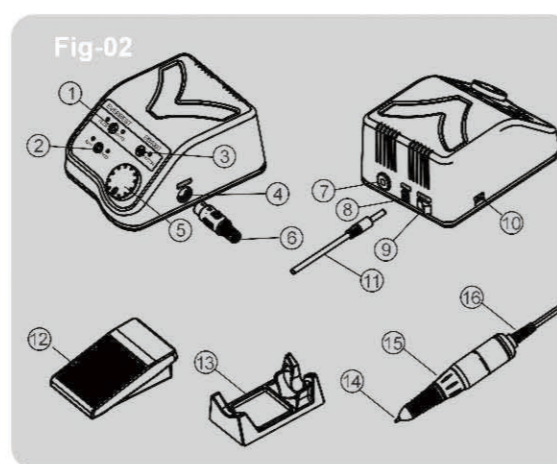
- Control unit.
- Motor handpiece
- Motor handpiece stand
- Foot pedal
- Test bur

### 2. Electrical power

Check the electric rating label (AC110/200V, 50/60Hz) affixed to the rear of the unit. Use only the fuse with allowable electric voltage (2.0A 250V) for fuse holder. Adjustment switch(9) to the voltage position which you need.

#### Caution:

- ▶Never plug or unplug the power cord with wet hands to avoid electric shock.



### 3. Components:

- |                               |                          |
|-------------------------------|--------------------------|
| 1.Hand/Foot selector switch   | 11.Foot pedal input plug |
| 2.For/Rev selector switch     | 12.Foot pedal switch     |
| 3.Handpiece switch            | 13.Handpiece stand       |
| 4.Handpiece output interface  | 14.Test bur              |
| 5.Speed control knob          | 15.Chuck handle          |
| 6.Handpiece input plug        | 16.Handpiece output cord |
| 7.Power cord                  |                          |
| 8.Foot pedal output interface |                          |
| 9.Power switch                |                          |
| 10.Voltage switch             |                          |

### 4. How to operate

#### 4.1 What to do before operation

4.1.1 Set power switch (9) to OFF position, whenever connecting handpiece and foot pedal

4.1.2 Test bur can be replaced by turning chuck handle(15) clockwise [Fig-03]. After replacing the test bur or a polishing point, the chuck handle(15) must be turned counterclockwise to be securely held [Fig-04].

4.1.3 Always remove dirt before replacing a test bur/polishing point.

4.1.4 After replacing a test but/polishing point, it is necessary to make sure that the chuck is securely held before running the motor.

4.1.5 While the motor is running, DO NOT try to adjust the chuck handle to prevent the unit from being damaged.

4.1.6 When the motor handpiece is not in use, it is recommended for a test bur or polishing point to be kept inserted into the motor handpiece.

Fig-03

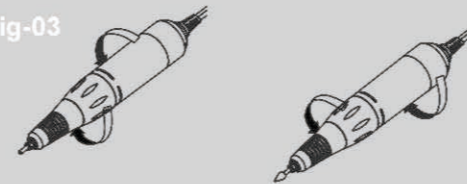
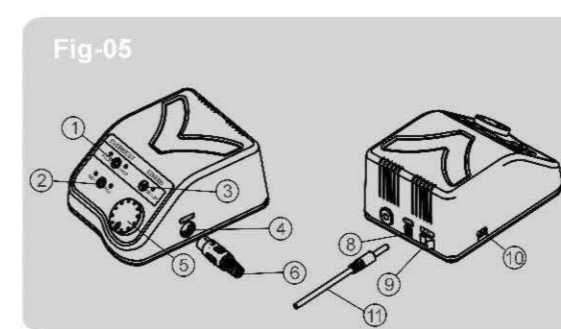


Fig-04



#### 4.2 Procedures

4.2.1 Plug the power cord into power interface.

4.2.2 Plug the handpiece input plug (6) into handpiece output interface (4).

4.2.3 Plug the foot pedal input plug(11) into the foot pedal output interface (8).

4.2.4 turn speed control knob(5) in the end Counterclockwise.

4.2.5 Open the power switch(9).

4.2.6 Set speed control knob(5) to the desired speed.

4.2.7 Switch hand/pedal selector switch (1) to change the switch between hand/foot pedal.

4.2.8 Switch forward/reverse selector switch(2) to change switch between forward/reverse. For protecting motor, handpiece switch(3) need to be pressed for 3 seconds to work.

4.2.9 Before turning off the power switch(9), it is surely required to set the speed control knob(5) to the leftmost.

### Caution

- ▶Wear safety glasses and mask whenever doing cutting or grinding works.
- ▶Do not exceed the maximum operating Speed of the unit because its operation at too high speed may result in damage to the unit, as well as personal injury.
- ▶Never try to touch the chuck handle while the motor is in operation.
- ▶Special care must be taken not to drop the motor handpiece or control unit on the floor.
- ▶Before turning off the power switch, it is surely required to set the speed control knob to the leftmost.
- ▶Unplug the power cord when the unit is not in use.

### 5. Technical data:

- Voltage : 110/220V
- Cycle: 50/60Hz
- Power : 45W
- Collect : 2.35mm(3/32')
- Rated Speed :0 rpm min.  
35000 rpm max.
- Weight:2KG